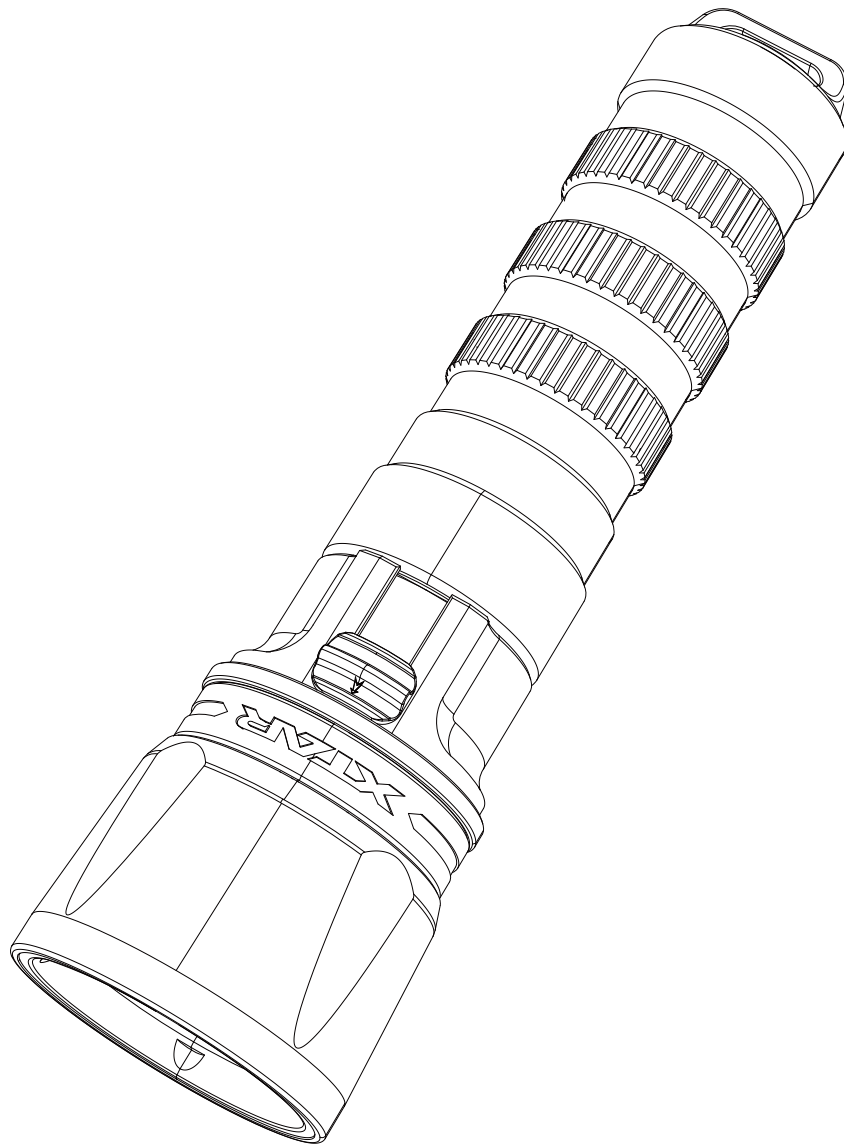


# XTAR<sup>®</sup>

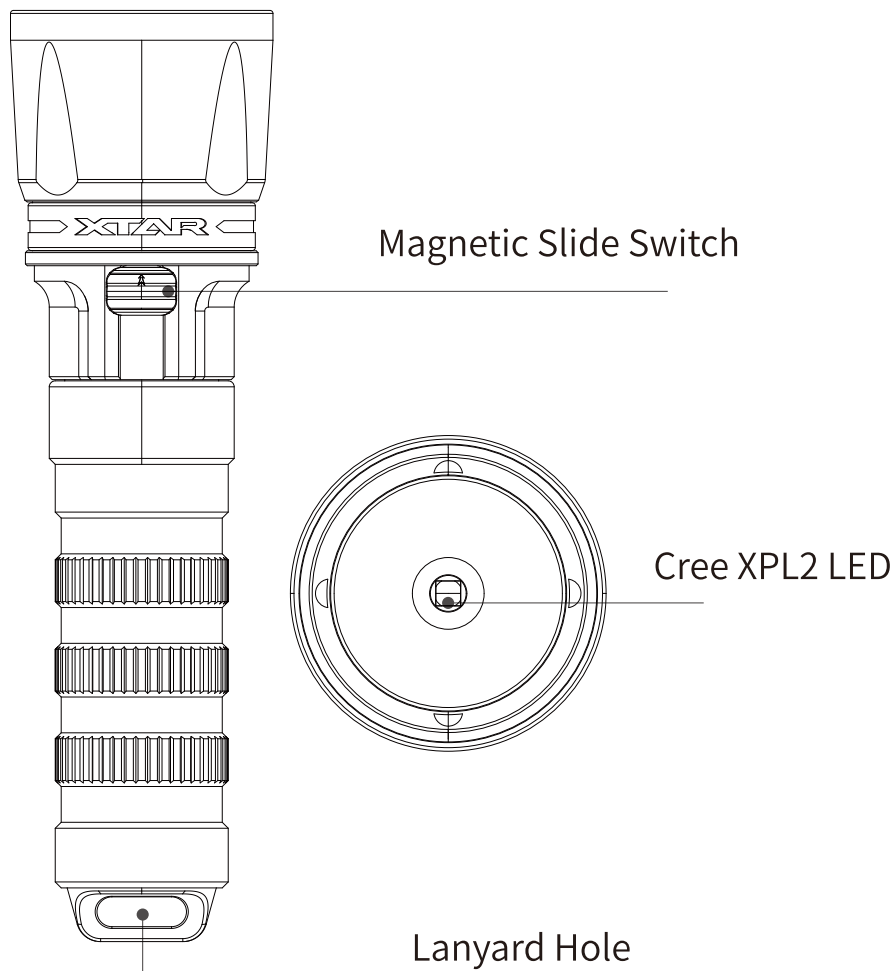
**DS1**

## Magnetic Slide Switch Diving Flashlight











# Introduction

DS1 is a quality dive light for recreational diving and spearfishing, it has a sensible magnetic slide switch that offers one-hand operation accessible anytime, anywhere. With its simplicity of operation, users may easily adjust brightness levels. Its knurling body enhances anti-skid performance. It weighs 177g only.



## Parameter

ANSI	High - Low
	1000lm-30lm
	2.5hrs-49hrs
	$\Phi 44\text{mm}(\text{head}) \times \Phi 29\text{mm}(\text{body})$ $\times 156\text{mm}(\text{length})$
	282m
	20032cd
	1.5m
	IPX8(Underwater 100m)
	177g

Notes:

1. Above-mentioned parameters (tested by using XTAR 1 x 21700 4900mAh) are approximate and may differ depending on battery and environment.

2. Working Voltage: 2.75-4.2V.

## Operation

1. Install battery.

Unscrew tail cap, and install the battery with

positive pole (+) towards head.

2. Choose lightness.

Push switch forward or backward to adjust brightness.

## **Tips**

1. Please make sure positive pole (+) towards the head.

2. Considering flashlight consumes power when it is off, please unscrew tail and move switch to bottom.

3. To avoid LED flashes, and please move the switch gently.

4. Do not wipe the battery with strong corrosive substance.

5. To prolong the lifespan of your dive light, please take out the battery when not using it.

6. Rinse the dive light after use. Repeatedly press push the switch while washing to make sure that seawater inside is drained. Then put it back after dried.

7. The waterproof switch and o-ring at the body needs to stay lubricated to ensure normal use of the dive light. Please replenish lubricant regularly. Recommended to use XTAR lubricant.

## 8. Flashlight fails to operate.

Possible reasons	Solutions
Battery is exhausted or not compatible	Change battery
Battery is installed incorrectly	Make sure the positive pole (+) towards the head.
Poor contact	1. Clean the contact surface with alcohol. 2. Tighten the head and tail cap.

9. For more and updated information, please visit [www.xtar.cc](http://www.xtar.cc)

## After-sales

Please provide warranty number to our distributor to get after-sales service.

- 15 days free replacement.
- 24 months free repair. If problem developed is beyond 24 months, we will offer free repair service but charge for parts used. The distributor will inform you material fee or related freight if any before repair.
- Lifetime technical support.

## **Note:**

1. Damage caused by misuse or intentional is not covered by the warranty.
2. Warranty number (9-13 digits) can be found on the package or product.

**Global After-sales Email: [service@xtar.cc](mailto:service@xtar.cc)**

## **Anti-fake inquiry**

1. Scratch the anti-counterfeiting label on the package to get 18-digit number.
2. Input the number into the query page on [www.xtar.cc](http://www.xtar.cc) (Contact Us - Anti-fake).



**Warning: Do not direct the light  
towards the eyes.  
Serious injury or blindness may  
occur by misuse.**

# XTAR<sup>®</sup>

Shenzhen XTAR Electronics Co., Ltd  
Address: 5th Floor, No.77 Xinhe Rd, Shangmugu,  
Pinghu Area, Longgang District, Shenzhen , Guangdong, China  
Tel:+86-755-25507076 Fax:+86-755-25507076  
Website:www.xtar.cc Email:info@xtar.cc  
Zip Code: 518111

**Made in China**



V1